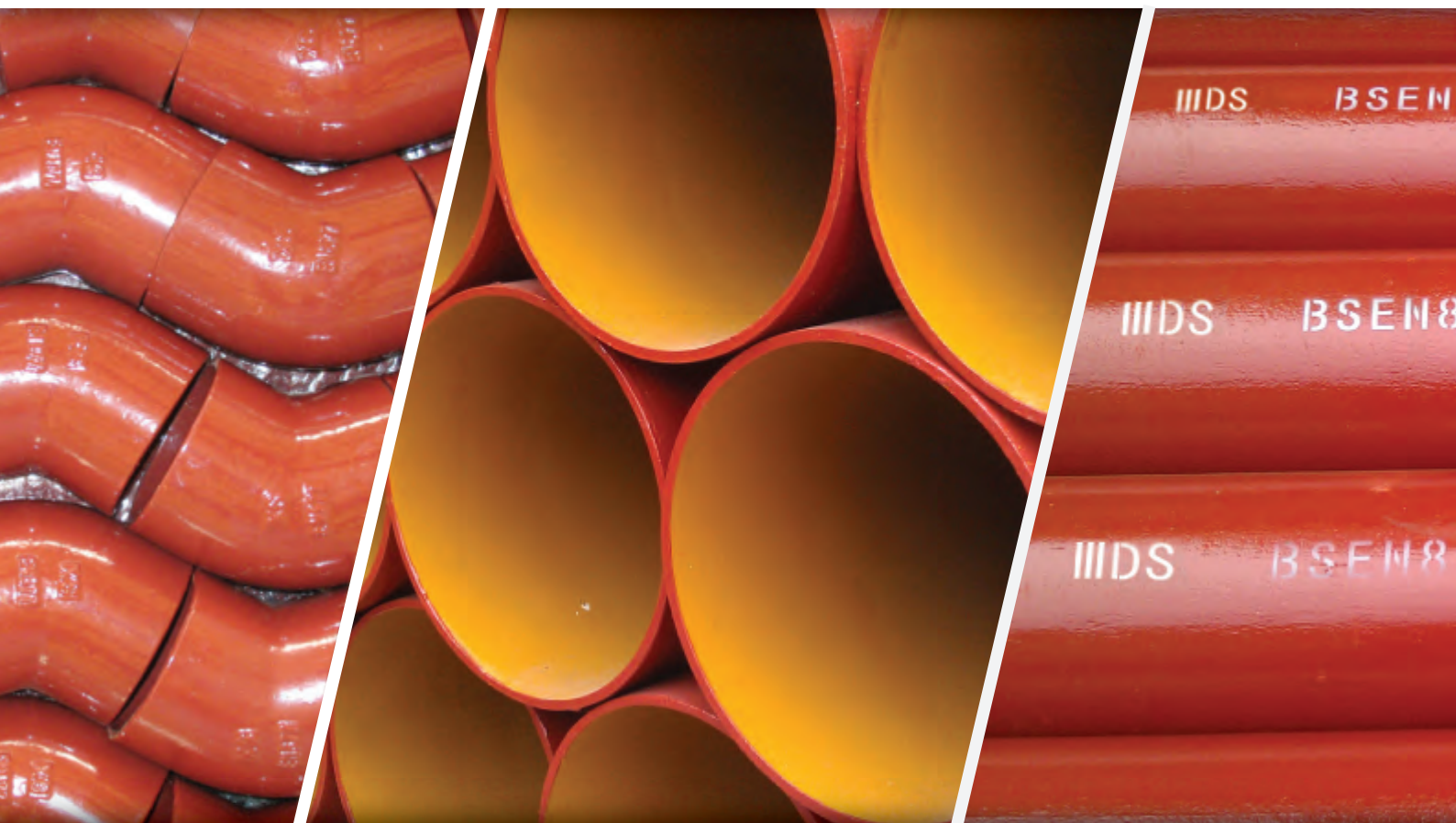




# EPOXY CAST IRON DRAINAGE PIPE SYSTEM EN877





## EPOXY CAST IRON DRAINAGE PIPE SYSTEM EN877

鼎森进出口公司  
Dinsen Impex Corp.

中国河北省邯郸市人民路70号。  
NO.70 RENMIN ROAD,  
HANDAN HEBEI CHINA.

Tel: (86)0310-8906676 Fax:(86)0310-3252086  
E-mail: [info@dinsenmetal.com](mailto:info@dinsenmetal.com)  
website: [www.dinsenmetal.com](http://www.dinsenmetal.com)



# EPOXY CAST IRON DRAINAGE PIPE SYSTEM EN877

## Introduction

Made from 100% recyclable materials, DS epoxy cast iron pipe systems are not only environmental friendly, but also satisfy many properties necessary to withstand the aggressive conditions both internal and external of the pipes and fittings; these properties include its excellent resistance to abrasion, corrosion, impact and fire. DS also has low noise transmission compared to common uPVC drainage pipe systems. DS is designed as long lasting building materials. It had customers appalled with the ease and speed of installation.

## 引言

由100%可循環再用物料製造的DS紅坭系列不但環保，並且管道內外均具備抵受外來環境侵害的特性包括：高度防磨損、抗銹蝕、耐撞擊、防火。相較於一般的uPVC塑膠去水系統，DS紅坭更具有低噪音的性能。DS紅坭是一種耐用的去水管道，其安裝便捷的優點，深受用家歡迎。

## Standard

DS epoxy cast iron pipe systems with nominal size between 40-300mm comply with BSEN877. BSEN877 guarantees the quality of the materials, dimensions and tolerances, mechanical properties (like water pressure, tensile strength and brinell hardness) appearance, and standard coatings for the epoxy cast iron pipes, fittings and couplings.

## 產品規格

DS紅坭系列的尺寸由40mm至300mm，均符合BSEN877標準，保證其品質 —— 用料、尺寸、機械性能（如水壓、拉力、硬度）外表及保護層 —— 達到理想標準。

## Strength

Iron is well known for its strength and abrasion resistance. The shape and impact strength of DS products are unchanged under exposure of sunlight and weathering, while uPVC and PVC pipes would soften, deform and become brittle under intense temperature change.

## 高強度

鐵的強度高、能抗磨損是人所共知的，縱使在風雨日曬下，DS紅坭的形狀及撞擊強度不會因而改變或減弱；相反，uPVC及PVC塑膠去水喉會受溫差的影響而變軟、變形及變脆。

## Quiet

DS's sturdy and dense properties reduce pipe vibration creating a silent drainage system. Studies had proven iron is the quietest material out of all other common drainage pipe materials. Due to DS's naturally silent characteristics, no complicated and costly sound insulation is needed.

## 低噪音

DS紅坭結實而高密度的特性可減少喉管的震動，形成安靜的管道系統。鐵已被證實為眾多去水物料中最安靜的材料。由於DS紅坭低噪音的特性，可以免除繁複而昂貴的隔音裝置。

## Non-Toxic and Non-Combustible

No toxic gas will be emitted from DS in the event of a fire. Iron is also non-combustible so DS epoxy cast iron pipes and fittings are recoverable after a fire.

## 無毒及不易燃

火警發生時，DS紅坭不會釋放有毒氣體。由於鐵是一種不易燃的物料，DS紅坭及配件在火警後可以重用。



# EPOXY CAST IRON DRAINAGE PIPE SYSTEM EN877

## Anti-Corrosive

All DS epoxy cast iron pipes and fittings are internally and externally finished with corrosive resistant epoxy coating to prevent fouling and corrosion. The epoxy coating on DS epoxy cast iron pipes and fittings provides an excellent exterior under humid and tropical conditions. With the increasing use of domestic chemicals, such as organic acids and caustic soda, the epoxy interior is the perfect solution to handle the corrosive substances. The epoxy coating also provides a smooth path for solid waste creating a block-free interior. Around the world, epoxy cast iron pipes are widely used in laboratories, hospitals, factories and homes because of its corrosive resistant property.

## 抗銹蝕

DS紅坭及配件的內外層均塗上防銹的環氧樹脂以防結垢及防銹蝕。在潮濕多雨的熱帶環境下，DS紅坭外層的環氧樹脂塗層為管道提供良好的保護。在家用化學劑如有機酸、苛性鈉等的用量日漸增多下，環氧樹脂塗層是對抗侵蝕物質的最佳屏障，同時亦造成了一個平滑的管道來防止污物阻塞。紅坭具有抗腐蝕的特性，令其廣泛應用於世界各地之實驗室、醫院、工廠及住宅等。

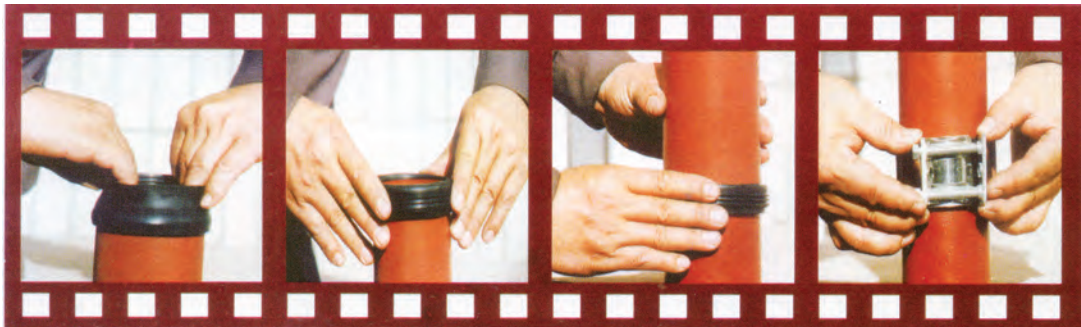
## Couplings

Lightweight couplings are specially engineered to guarantee a strong, quick and easy connection between DS pipes and fittings. Made from stainless steel with rubber gaskets, the couplings match the pipe and fittings' non-corrosive properties.

## 喉箍

精密設計的喉箍可以穩固、快捷及容易地接駁DS紅坭，而且極之輕身。配合紅坭喉管及管件抗銹蝕的特性，紅坭箍採用的材料為不銹鋼及橡膠墊圈。

## Assembly Instructions 安裝指引



1. 將喉箍的膠圈套在管端外，至膠圈深度的一半  
Fit the rubber gasket on the outer rim of the pipe until it is half way into the gasket.
2. 將上半段的膠圈外翻  
Roll back the upper half of the rubber gasket outwards.
3. 放另一段的喉管或配件套入膠圈內，再翻回膠圈  
Place the connecting pipe or fitting into the rubber gasket and fold back the gasket.
4. 套上不銹鋼喉箍及將螺絲收緊  
Wrap the stainless steel coupling around the rubber gasket and alternately tighten bolts.

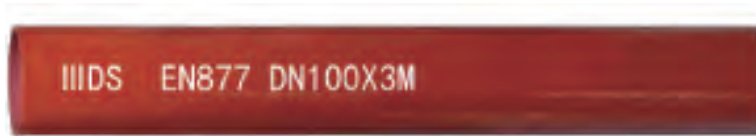






# EPOXY CAST IRON DRAINAGE PIPE SYSTEM EN877

## Drainage Pipe



For above ground

Inside coating thickness: Epoxy paint above 120µm

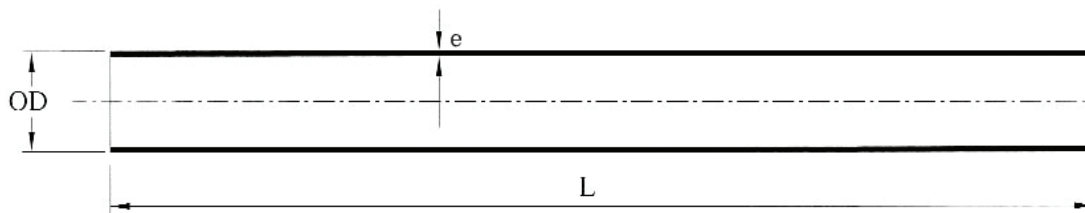
Outside coating thickness: Primer coating above 60µm

For underground

Inside coating thickness: Epoxy powder coating above 240µm

Outside coating thickness: Epoxy powder coating above 240µm

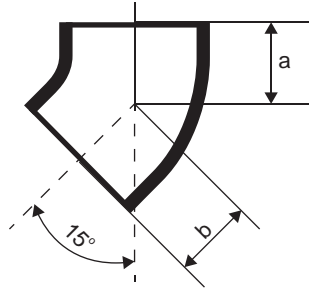
Code 編碼	Nominal Size 公稱直徑 DN	weight 重量
	mm	kg
DP-040	40	12.5
DP-050	50	13.0
DP-075	75	19.0
DP-100	100	25.2
DP-125	125	35.8
DP-150	150	42.2
DP-200	200	69.3
DP-250	250	99.8
DP-300	300	129.7
DP-400	400	180.0
DP-500	500	250.0
DP-600	600	328.5



Nominal Size 公稱直徑	Outside Diameter 外徑		Wall Thickness 壁厚		Length 長度	Weight 重量
DN	OD	Tolerance公差	e	Tolerance公差	L	
mm	mm	mm	mm	mm	mm	kg
40	48	+2 / -1	3.0	-0.5	3000±20	12.5
50	58		3.5	-0.5		13.0
75	83		3.5	-0.5		19.0
100	110		3.5	-0.5		25.2
125	135	+2 / -2	4.0	-0.5		35.8
150	160		4.0	-0.5		42.2
200	210	+2.5 / -2.5	5.0	-1.0		69.3
250	274		5.5	-1.0		99.8
300	326		6.0	-1.0		129.7
400	429	+2 / -3	6.3	-1.3		150.0
500	532	+2 / -3.5	7.0	-1.8		180.0
600	635	+2 / -4	7.7	-1.9		328.5

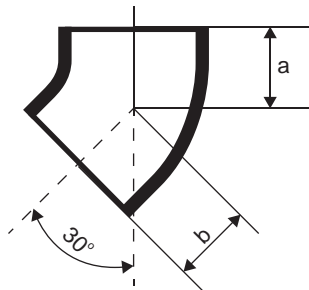
# EPOXY CAST IRON DRAINAGE PIPE SYSTEM EN877

15° Bend 短邊



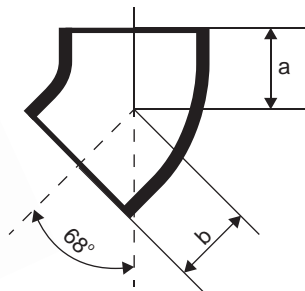
Code 編碼	Nominal Size 公稱直徑		a	b	weight 重量
	DN	mm			
DF1015-050	50	40	40	0.4	
DF1015-070	70	45	45	0.6	
DF1015-075E	DE75			0.6	
DF1015-075	75	50	50	0.8	
DF1015-100	100	50	50	1.0	
DF1015-125	125	60	60	1.7	
DF1015-150	150	65	65	2.5	
DF1015-200	200	80	80	4.6	
DF1015-300	300	130	130	17.5	

30° Bend 短邊



Code 編碼	Nominal Size 公稱直徑		a	b	weight 重量
	DN	mm			
DF1030-050	50	45	45	0.5	
DF1030-070	70	50	50	0.7	
DF1030-075E	DE75			0.7	
DF1030-075	75	60	60	0.8	
DF1030-100	100	60	60	1.3	
DF1030-125	125	70	70	2.0	
DF1030-150	150	80	80	3.0	
DF1030-200	200	95	95	5.4	

68° Bend 短邊



Code 編碼	Nominal Size 公稱直徑		a	b	weight 重量
	DN	mm			
DF1068-050	50	65	65	0.7	
DF1068-070	70	75	75	1.1	
DF1068-075	75	80	80	1.2	
DF1068-100	100	90	90	1.9	
DF1068-125	125	105	105	2.9	
DF1068-150	150	120	120	4.3	
DF1068-200	200	145	145	7.7	

Double short Bend 雙短邊

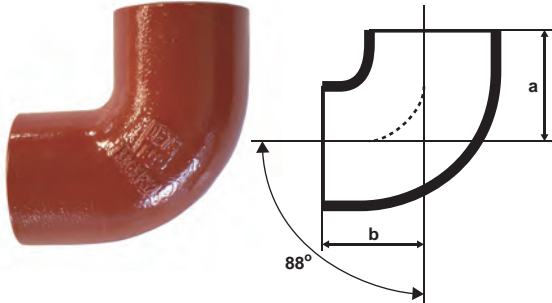


Code 編碼	Nominal Size 公稱直徑		a	b	weight 重量
	DN	mm			
DF1600-050	50			1.2	
DF1600-070	70			1.8	
DF1600-075	75			1.8	
DF1600-100	100			3.2	
DF1600-125	125			4.6	
DF1600-150	150			7.0	



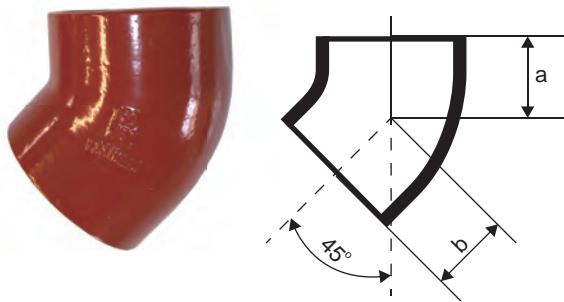
# EPOXY CAST IRON DRAINAGE PIPE SYSTEM EN877

88° Bend 短邊



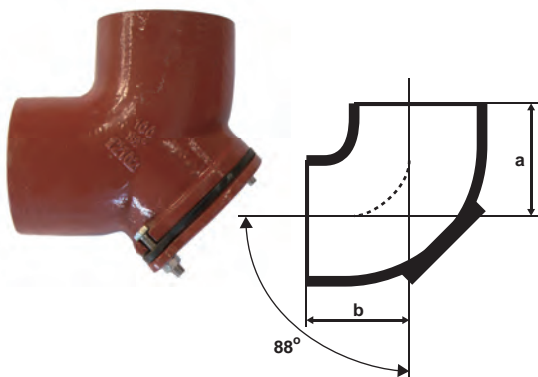
Code 編碼	Nominal Size 公稱直徑		weight 重量	
	DN	a		b
	mm	mm	mm	kg
DF1090-040	40	70	70	0.5
DF1090-050	50	75	75	0.7
DF1090-070	70	90	90	1.2
DF1090-075E	DE75	91	91	1.1
DF1090-075	75	95	95	1.4
DF1090-100	100	110	110	2.1
DF1090-125	125	125	125	3.2
DF1090-150	150	145	145	4.9
DF1090-200	200	180	180	8.8
DF1090-250	250	225	225	17.9
DF1090-300	300	260	260	28.0

45° Bend 短邊



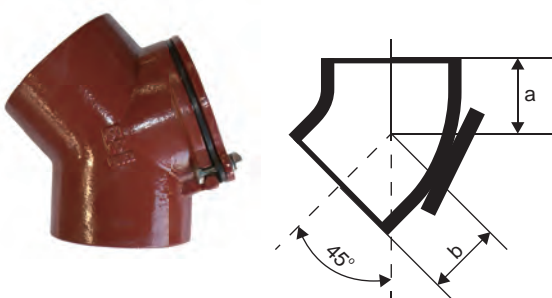
Code 編碼	Nominal Size 公稱直徑		weight 重量	
	DN	a		b
	mm	mm	mm	kg
DF1045-040	40	50	50	0.4
DF1045-050	50	50	50	0.5
DF1045-070	70	60	60	0.9
DF1045-075E	DE75	60	60	0.7
DF1045-075	75	60	60	1.0
DF1045-100	100	70	70	1.6
DF1045-125	125	80	80	2.3
DF1045-150	150	90	90	3.5
DF1045-200	200	110	110	6.2
DF1045-250	250	130	130	10.3
DF1045-300	300	155	155	17.3

88° Bend with Access Door 多口短邊



Code 編碼	Nominal Size 公稱直徑		weight 重量	
	DN	a		b
	mm	mm	mm	kg
DFC1090-075	75	95	95	2.2
DFC1090-100	100	110	110	3.4
DFC1090-150	150	145	145	7.0

45° Bend with Access Door 多口短邊

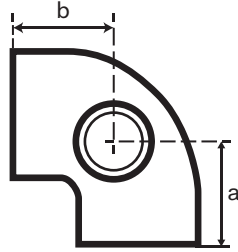


Code 編碼	Nominal Size 公稱直徑		weight 重量	
	DN	a		b
	mm	mm	mm	kg
DFC1045-100	100	83	83	2.6
DFC1045-150	150	113	113	7.0



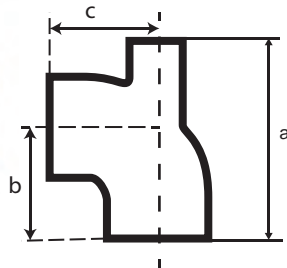
# EPOXY CAST IRON DRAINAGE PIPE SYSTEM EN877

Vent Bend 預仔邊



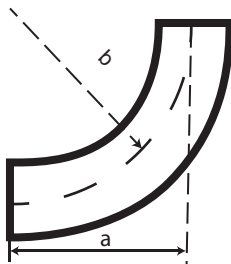
Code 編碼	Nominal Size 公稱直徑 DN	a	b	weight 重量
	mm	mm	mm	kg
DF2000B-100X50	100X50	110	110	2.9

Top Bend 企頭邊



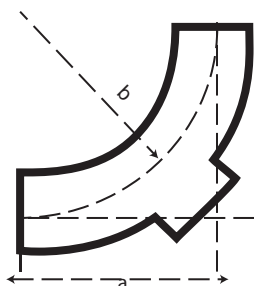
Code 編碼	Nominal Size 公稱直徑 DN	a	b	c	weight 重量
	mm	mm	mm	mm	kg
DF2000A-100X50	100X50	203	110	110	2.5

88° Large Radius Bend 大彎邊



Code 編碼	Nominal Size 公稱直徑 DN	a	b	weight 重量
	mm	mm	mm	kg
DF1900-100	100	270	235	5.4
DF1900-150	150	276	230	9.8

88° Large Radius Bend with Access Door 多口大彎邊



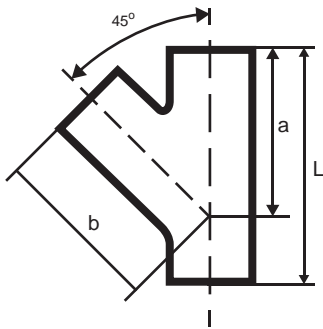
Code 編碼	Nominal Size 公稱直徑 DN	a	b	weight 重量
	mm	mm	mm	kg
DFC1900-100	100	230	150	7.0





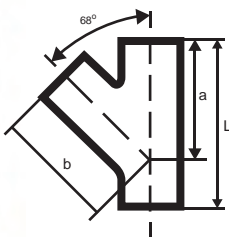
# EPOXY CAST IRON DRAINAGE PIPE SYSTEM EN877

## 45° Single Branch 斜叉



Code 編碼	Nominal Size 公稱直徑 DN	L mm	a mm	b mm	weight
					重量 kg
DF1145-050X040	50 X 40	160	115	115	1.2
DF1145-050	50 X 50	185	135	135	1.4
DF1145-070X050	70 X 50	190	150	150	1.6
DF1145-070	70 X 70	215	160	160	2.3
DF1145-075X050	75 X 50	190	140	140	1.8
DF1145-075EX050	DE75 X 50	181	136	136	1.5
DF1145-075E	DE75 X 75	217	160	160	1.9
DF1145-075	75 X 75	225	160	160	2.4
DF1145-100X050	100 X 50	200	165	165	2.5
DF1145-100X070	100 X 70	235	185	185	3.1
DF1145-100X075E	100 X DE75	223	170	170	3.2
DF1145-100X075	100 X 75	230	175	175	3.1
DF1145-100	100 X 100	275	205	205	4.2
DF1145-125X050	125 X 50	205	185	185	3.4
DF1145-125X070	125 X 70	240	200	200	4.3
DF1145-125X075	125 X 75	240	200	200	4.4
DF1145-125X100	125 X 100	280	220	220	5.2
DF1145-125	125 X 125	320	240	240	6.4
DF1145-150X050	150 X 50				4.0
DF1145-150X070	150 X 70	245	215	215	5.6
DF1145-150X075	150 X 75	245	215	215	5.9
DF1145-150X100	150 X 100	295	240	240	6.8
DF1145-150	150 X 150	355	265	265	9.2
DF1145-200X075	200 X 75	255	240	240	8.3
DF1145-200X100	200 X 100	305	265	265	10.0
DF1145-200X125	200 X 125	335	280	280	11.9
DF1145-200X150	200 X 150	375	300	300	13.3
DF1145-200	200 X 200	455	340	340	17.2
DF1145-250X100	250 X 100	325	310	310	15.4
DF1145-250X150	250 X 150	405	350	350	20.2
DF1145-250X200	250 X 200	475	385	385	25.1
DF1145-250	250 X 250	560	430	430	31.5
DF1145-300X150	300 X 150	415	380	380	26.9
DF1145-300X200	300 X 200	485	415	415	34.0
DF1145-300X250	300 X 250	580	465	465	42.1
DF1145-300	300 X 300	660	505	505	50.1

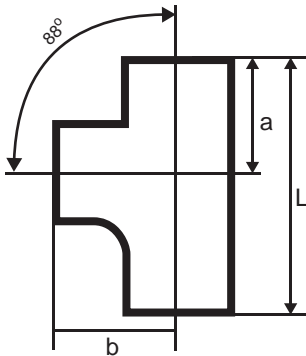
## 68° Single Branch 斜叉



Code 編碼	Nominal Size 公稱直徑 DN	L mm	a mm	b mm	weight
					重量 kg
DF1170-075X050	70X50	155	95	95	1.3
DF1170-100X050	100X50	155	100	110	1.9
DF1170-100	100X100	215	130	130	2.9

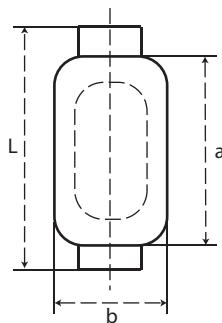
# EPOXY CAST IRON DRAINAGE PIPE SYSTEM EN877

## 88° Single Branch 三叉



Code 編碼	Nominal Size 公稱直徑			weight 重量	
	DN	L	a	b	kg
DF1190-040	40 X 40				0.8
DF1190-050	50 X 50	145	66	80	0.9
DF1190-070X050	70 X 50	155	72	90	1.4
DF1190-070	70 X 70	180	83	95	1.7
DF1190-075X050	75 X 50	180	85	90	1.6
DF1190-075	75 X 75	180	85	95	1.9
DF1190-075E	DE75 X 75	180	85	98	1.4
DF1190-100X050	100 X 50	170	76	105	2.1
DF1190-100X070	100 X 70	190	88	110	2.4
DF1190-100X075	100 X 75	190	85	110	2.6
DF1190-100X075E	100 X DE75	195	92	110	2.9
DF1190-100	100 X 100	220	105	120	2.9
DF1190-125X050	125 X 50	180	82	120	3.0
DF1190-125X070	125 X 70	200	93	125	3.4
DF1190-125X075	125 X 75	205	94	125	3.4
DF1190-125X100	125 X 100	235	110	130	4.0
DF1190-125	125 X 125	260	123	135	4.6
DF1190-150X050	150 X 50	200	100	140	4.4
DF1190-150X075	150 X DE75				4.8
DF1190-150X075E	150 X 75				5.0
DF1190-150X100	150 X 100	245	115	145	5.5
DF1190-150X125	150 X 125	275	128	150	6.2
DF1190-150	150 X 150	300	142	155	6.9
DF1190-200X100	200 X 100				7.8
DF1190-200X125	200 X 125				8.8
DF1190-200X150	200 X 150	325	152	185	10.8
DF1190-200	200 X 200	380	175	210	12.8
DF1190-250X150	250 X 150	364	171	228	19.3
DF1190-250X200	250 X 200				21.0
DF1190-250	250 X 250	470	225	244	24.5
DF1190-300X150	300 X 150	404	192	258	28.8
DF1190-300X200	300 X 200	455	220	265	30.0
DF1190-300X250	300 X 250	526	253	271	31.6
DF1190-300	300 X 300	550	265	283	38.0

## Rectangle access pipe 方口短坭

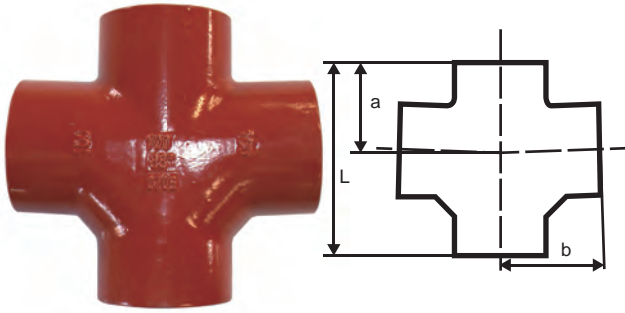


Code 編碼	Nominal Size 公稱直徑			weight 重量	
	DN	L	a	b	kg
DFCS-075E	DE75	264	180	115	2.2
DFCS-100	100	340	230	157	7.6
DFCS-125	125	370	255	190	10.3
DFCS-150	150	395	280	215	14.5
DFCS-200	200	465	330	165	22.0
DFCS-250	250				36.5
DFCS-300	300	640	476	380	51.0



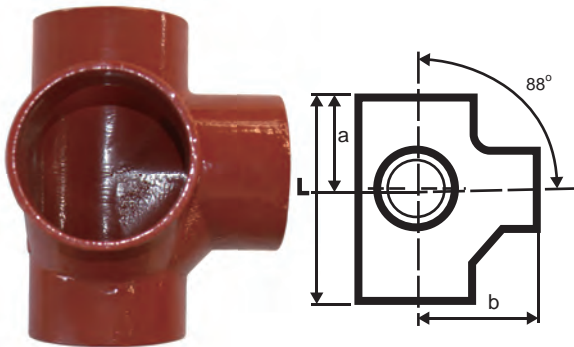
# EPOXY CAST IRON DRAINAGE PIPE SYSTEM EN877

## 88° Double Branch 十字叉



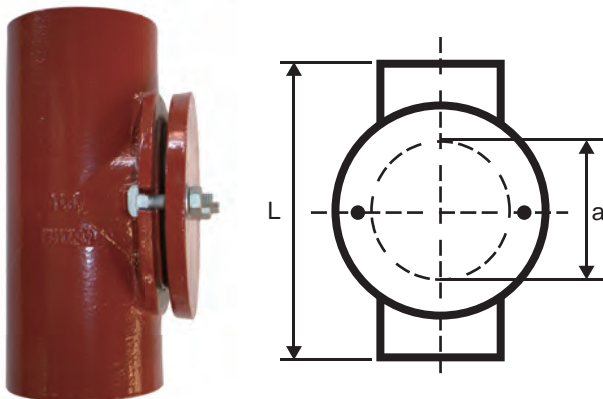
Code 編碼	Nominal Size 公稱直徑 DN		L mm	a mm	b mm	weight 重量 kg
	mm	mm				
DF1500-100X050	100	50	180	80	105	2.2
DF1500-100X070	100	70	190	88	110	2.7
DF1500-100X075	100	75	205	95	120	2.9
DF1500-100	100	100	230	110	120	3.2
DF1500-150X050	150	50	170	68	135	5.2
DF1500-150X100	150	100	245	115	145	7.1

## 88° Corner Double Branch 曲尺叉



Code 編碼	Nominal Size 公稱直徑 DN		L mm	a mm	b mm	weight 重量 kg
	mm	mm				
DF1400-100X070	100	70	190	88	110	2.7
DF1400-100	100	100	220	105	120	3.4
DF1400-125X070	125	70	200	93	125	3.7
DF1400-125X100	125	100	235	110	140	5.0
DF1400-150X100	150	100	245	115	145	7.1

## Short Pipe with Access Door 多口短坭

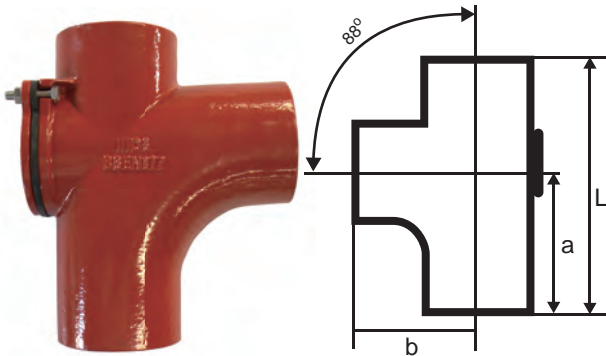


Code 編碼	Nominal Size 公稱直徑 DN		a mm	L mm	weight 重量 kg
	mm	mm			
DFC-050	50	50	53	190	2.3
DFC-070	70	70	73	210	2.9
DFC-075	75	75	78	220	3.1
DFC-100	100	100	104	260	5.5
DFC-125	125	125	125	260	10.3
DFC-150	150	150	150	260	11.5
DFC-200	200	200	200	260	18.0



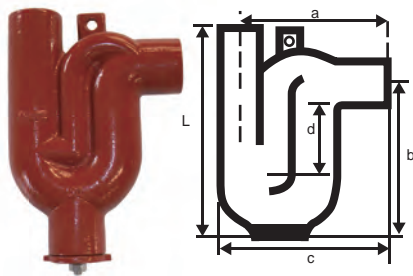
# EPOXY CAST IRON DRAINAGE PIPE SYSTEM EN877

## 88° Single Branch with Access Door 多口三叉



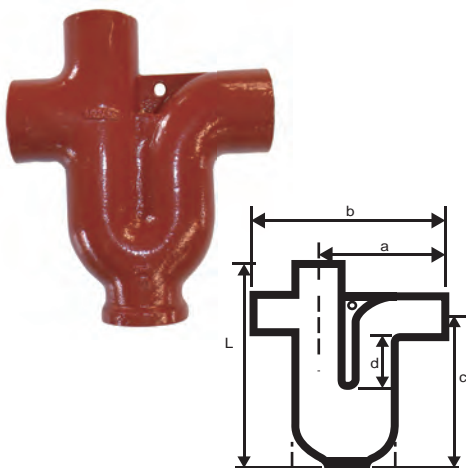
Code 編碼	Nominal Size 公稱直徑			weight 重量	
	DN	L	a	b	kg
DFC1190-075	75 X 75	222	131	131	3.8
DFC1190-100X050	100 X 50	205	103	96	3.8
DFC1190-100X075	100 X 75	228	118	145	3.7
DFC1190-100	100 X 100	270	168	150	4.5
DFC1190-150X100	150 X 100	280	140	167	7.5
DFC1190-150	150 X 150	353	205	192	8.2

## Anti-Syphon Trap 防吸力格氣



Code 編碼	Nominal Size 公稱直徑				weight 重量		
	DN	L	a	b	c	d	kg
DF1700-050	50	255	146	209	175	80	3.7
DF1700-075	75	312	201	240	245	80	9.1
DF1700-100	100	374	215	281	316	80	16.8

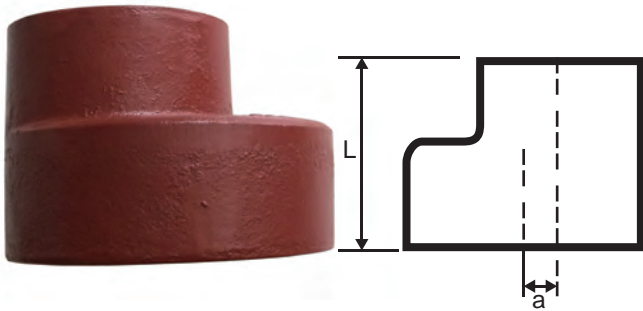
## Deep water seal P-Trap 深水格氣



Code 編碼	Nominal Size 公稱直徑				weight 重量		
	DN	L	a	b	c	d	kg
DF1800-050	50	250	122	190	182	60	3.1
DF1800-070	70	293	172	265	200	60	5.7
DF1800-075	75	285	170	265	190	80	5.8
DF1800-100	100	392	215	325	282	100	9.8
DF1800-150	150	493	325	470	348	100	22.8

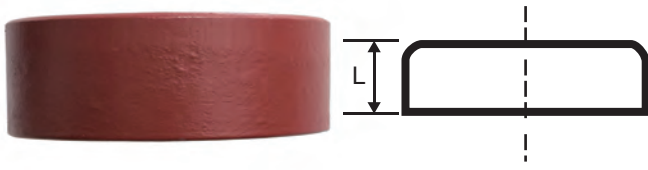
# EPOXY CAST IRON DRAINAGE PIPE SYSTEM EN877

## Reducer 刁士



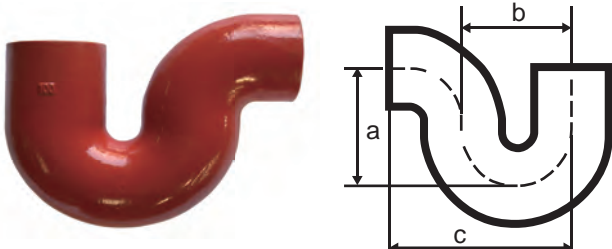
Code 編碼	Nominal Size 公稱直徑		L mm	weight 重量 kg
	DN	a mm		
DF1300-050X040	50 X 40	5	65	0.5
DF1300-070X050	70 X 50	12.5	75	0.5
DF1300-075X050	75 X 50	75	80	0.7
DF1300-100X050	100 X 50	25	80	0.9
DF1300-100X070	100 X 70	16	85	0.9
DF1300-100X075E	100 X DE75	17.5	85	0.9
DF1300-100X075	100 X 75	13.5	90	1.1
DF1300-125X050	125 X 50	38.5	85	1.4
DF1300-125X070	125 X 70	28.5	90	1.5
DF1300-125X075	125 X 75	26	95	1.5
DF1300-125X100	125 X 100	12.5	95	1.8
DF1300-150X050	150 X 50	51	95	2.0
DF1300-150X075	150 X 75	37.5	100	2.1
DF1300-150X100	150 X 100	25	105	2.2
DF1300-150X125	150 X 125	12.5	110	2.3
DF1300-200X100	200 X 100	50	115	4.1
DF1300-200X150	200 X 150	25	125	4.3
DF1300-250X100	250 X 100			6.2
DF1300-250X150	250 X 150	57	140	6.8
DF1300-250X200	250 X 200	32	145	7.0
DF1300-300X100	300 X 100			9.5
DF1300-300X150	300 X 150	83	150	10.7
DF1300-300X200	300 X 200	58	160	11.4
DF1300-300X250	300 X 250	26	170	12.4

## Cap 喉帽



Code 編碼	Nominal Size 公稱直徑		L mm	weight 重量 kg
	DN			
DF1200-050	50		30	0.2
DF1200-070	70		35	0.4
DF1200-075	75		35	0.5
DF1200-100	100		40	0.8
DF1200-125	125		45	1.1
DF1200-150	150		50	1.7
DF1200-200	200		60	3.1
DF1200-250	250		70	6.0
DF1200-300	300		80	9.5

## P-Trap 淺水格氣



Code 編碼	Nominal Size 公稱直徑			weight 重量 kg
	DN	a mm	b mm	
DF2100-050	50			2.2
DF2100-075	75	180	128	5.0
DF2100-100	100			7.6





# EPOXY CAST IRON DRAINAGE PIPE SYSTEM EN877

Cap with rubber seal 堵頭



Code 編碼	Nominal Size 公稱直徑 DN	weight 重量
	mm	kg
DF2300-050	50	0.4
DF2300-070	70	1.4
DF2300-075	75	1.4
DF2300-100	100	1.8

Flange ring 法蘭圈



Code 編碼	Nominal Size 公稱直徑 DN	weight 重量
	mm	kg
DF2200-050	50	0.7
DF2200-070	70	1.0
DF2200-075	75	1.1
DF2200-100	100	1.3
DF2200-125	125	1.5
DF2200-150	150	2.0
DF2200-200	200	3.0
DF2200-300	300	7.4

Flange pipe 法蘭管



Code 編碼	Nominal Size 公稱直徑 DN	weight 重量
	mm	kg
DF2400-050	50	1.3
DF2400-070	70	1.6
DF2400-075	75	1.8
DF2400-100	100	2.3
DF2400-125	125	3.0
DF2400-150	150	4.0
DF2400-200	200	6.0
DF2400-300	300	24.0

Off-set 偏移管

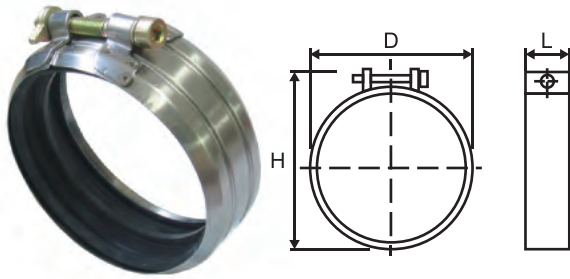


Code 編碼	Nominal Size 公稱直徑 DN	weight 重量
	mm	kg
DF2500-065X100	100	2.5
DF2500-130X100	100	3.4



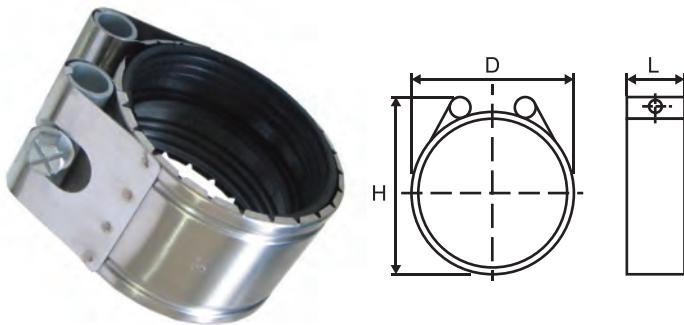
# EPOXY CAST IRON DRAINAGE PIPE SYSTEM EN877

## Type 'B' Stainless Steel Coupling (SS 304 / SS316) 不銹鋼喉箍



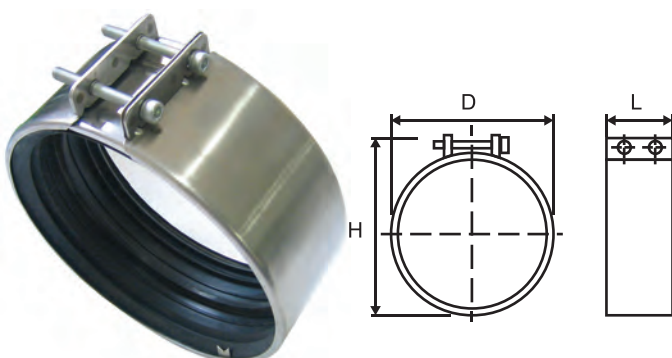
Code 編碼	Nominal Size 公稱直徑			
	DN	D	H	L
	mm	mm	mm	mm
DCB-040 DCB-040-316	40			
DCB-050X040-316	40 X 50			
DCB-050 DCB-050-316	50	70	83	41
DCB-075 DCB-075-316	70	92	105	45
DCB-100 DCB-100-316	100	122	135	45
DCB-150 DCB-150-316	150	173	186	54
DCB-200 DCB-200-316	200	232	246	66

## Type 'E' Stainless Steel Coupling (SS 304) 不銹鋼喉箍



Code 編碼	Nominal Size 公稱直徑			
	DN	D	H	L
	mm	mm	mm	mm
DCE-050	50	67	85	50
DCE-075	75	92	110	55
DCE-100	100	117	135	55
DCE-150	150	168	186	78

## Type 'CH' Stainless Steel Coupling (SS 304 / SS316) 不銹鋼喉箍

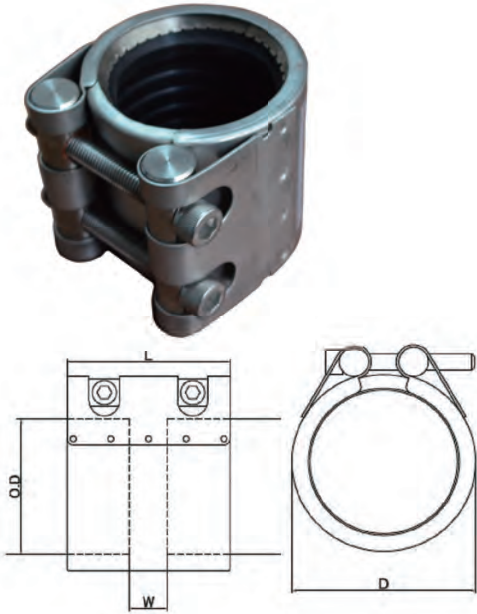


Code 編碼	Nominal Size 公稱直徑			
	DN	D	H	L
	mm	mm	mm	mm
DCC-040 DCC-040-316	40	62	76	56.5
DCC-050 DCC-050-316	50	72	86	56.5
DCC-075 DCC-075-316	75	97	111	56.5
DCC-100 DCC-100-316	100	124	138	56.5
DCC-150 DCC-150-316	150	174	188	70.5
DCC-200 DCC-200-316	200	226	256	82.0
DCC-250 DCC-250-316	250	290	318	140.0
DCC-300 DCC-300-316	300	342	370	140.0



# EPOXY CAST IRON DRAINAGE PIPE SYSTEM EN877

## Enhanced pipe connection 加強型喉箍



Code 編碼	Nominal Size 公稱直徑 DN	Width*	O.D	Out-dia range	
					mm
DCPC-032	DCPC-032L	32	57,100	42	42-44
DCPC-040	DCPC-040L	40	57,100	48.6	48-49
DCPC-050	DCPC-050L	50	80,139	60	59-62
DCPC-065	DCPC-065L	65	80,139	76	75-78
DCPC-080	DCPC-080L	80	107,203	89	88-92
DCPC-100	DCPC-100L	100	107,203	108	106-110
DCPC-125	DCPC-125L	125	116,203	140	137-143
DCPC-150	DCPC-150L	150	116,203	159	157-170
DCPC-200	DCPC-200L	200	155,255	219	217-221
DCPC-250	DCPC-250L	250	155,255	273	271-275
DCPC-300	DCPC-300L	300	155,255	325	323-327
DCPC-350	DCPC-350L	350	155,255	377	375-381
DCPC-400	DCPC-400L	400	155,255	426	424-428
DCPC-450	DCPC-450L	450	155,255	480	476-484
DCPC-500	DCPC-500L	500	155,255	530	526-534

\*The first number is for DCPC-032, another is for DCPC-032L

## Heavy clamp without glue 管夾



Code 編碼	Nominal Size 公稱直徑 DN	Tightening range
DCHC-015	15	12-16
DCHC-018	18	15-19
DCHC-022	22	20-25
DCHC-028	28	26-30
DCHC-035	35	32-36
DCHC-040	40	38-43
DCHC-048	48	47-51
DCHC-054	54	53-58
DCHC-060	60	60-64
DCHC-070	70	68-72
DCHC-075	75	75-80
DCHC-083	83	81-86
DCHC-090	90	87-92
DCHC-100	100	99-105
DCHC-110	110	109-112
DCHC-115	115	113-118
DCHC-125	125	125-130
DCHC-133	133	132-137
DCHC-140	140	138-142
DCHC-150	150	148-152
DCHC-160	160	159-166
DCHC-200	200	200-212
DCHC-220	220	215-220